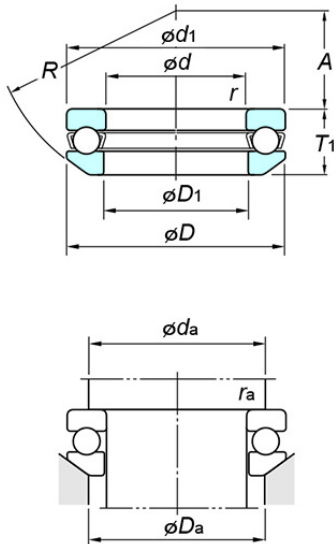


Thrust ball bearings - Single direction - With spherical back face



Bearing No. 53218

Specifications

(Boundary dimensions ...etc)

d(mm)	90
D(mm)	135
T(mm)	38.5
r(min.)(mm)	1.1
Basic load ratings Ca(kN)	146
Basic load ratings C0a(kN)	326
Fatigue load limit : Cu(kN)	13.9
Limiting speeds(Grease lub.)(min-1)	1400
Limiting speeds(Oil lub.)(min-1)	2100
d1(max.)(mm)	135
D1(min.)(mm)	93
D2(mm)	-
D3(mm)	-
A(mm)	45
R(mm)	100
C(mm)	-

Mounting dimensions

da(min.)(mm)	117
Da(max.)(mm)	108
ra(max.)(mm)	1

Refer.

(Refer.)Mass(kg)	1.77
------------------	------